

ASSEMBLY INSTRUCTIONS & PARTS MANUAL

Welded 15- and 16-Person Lockers & Welded Wall Mounted Lockers



RETAIN INSTRUCTIONS FOR FUTURE REFERENCE



GENERAL SAFETY INFORMATION

Some parts may have sharp edges. CARE must be taken when handling various pieces to avoid injury. For safety, wear a pair of work gloves when assembling or performing any maintenance on products.

LIMITED WARRANTY

Tennsco warrants goods purchased hereunder to be free of defects in materials and workmanship for a period of one (1) year from the date of shipment, hereunder. This warranty shall not apply in the event goods are damaged as a result of misuse, abuse, neglect, accident, improper application, modification or repair by persons not authorized by Seller, where goods are damaged during shipment, or where the date stamps on the goods have been defaced, modified or removed. UNLESS CONSIDERED UNENFORCEABLE OR UNLAWFUL UNDER APPLICABLE LAW:

- a. ALL IMPLIED WARRANTIES, INCLUDING BUT NOT LIMITED TO WARRANTIES OR MERCHANTABILITY AND FITNESS FOR A PARTICULAR PURPOSE ARE HEREBY EXCLUDED:
- b. BUYERS REMEDY, IF ANY, FOR ANY DEFECTIVE GOODS SHALL BE LIMITED TO A REFUND BY SELLER OR REPLACEMENT OF THE GOODS AT SELLER'S OPTION, AND SHALL IN NO EVENT INCLUDE DAMAGES OF ANY KIND, WHETHER INCIDENTAL, CONSEQUENTIAL OR OTHERWISE.

NO GOODS ACCEPTED FOR RETURN WITHOUT PRIOR APPROVAL. Seller shall have the right to inspect any goods claimed to be defective at Buyers place of business or require Buyer to return the goods to Seller for inspection on Seller's premises. Transportation charges covering returned goods will be borne by Seller only if such goods are proven to be defective, are covered by this warranty and are returned within the warranty period stated above.

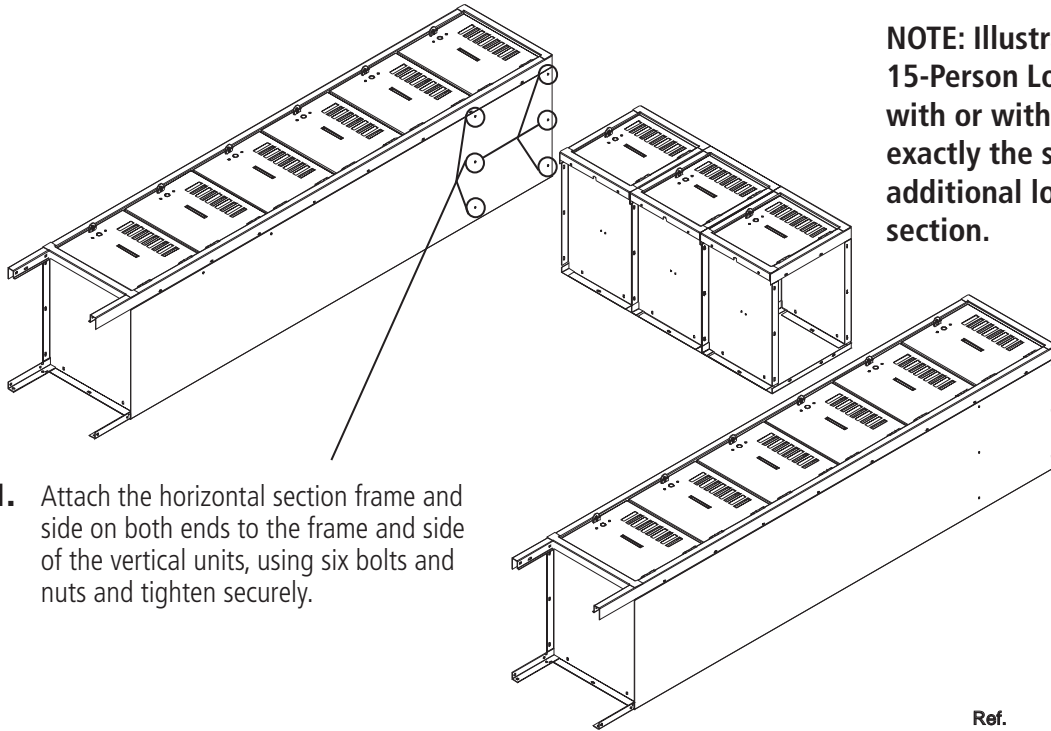


PROUDLY MADE IN THE U.S.A.

Tennsco LLC., Dickson, TN 37056-1888 • (866) 446-8686

REPLACEMENT PARTS

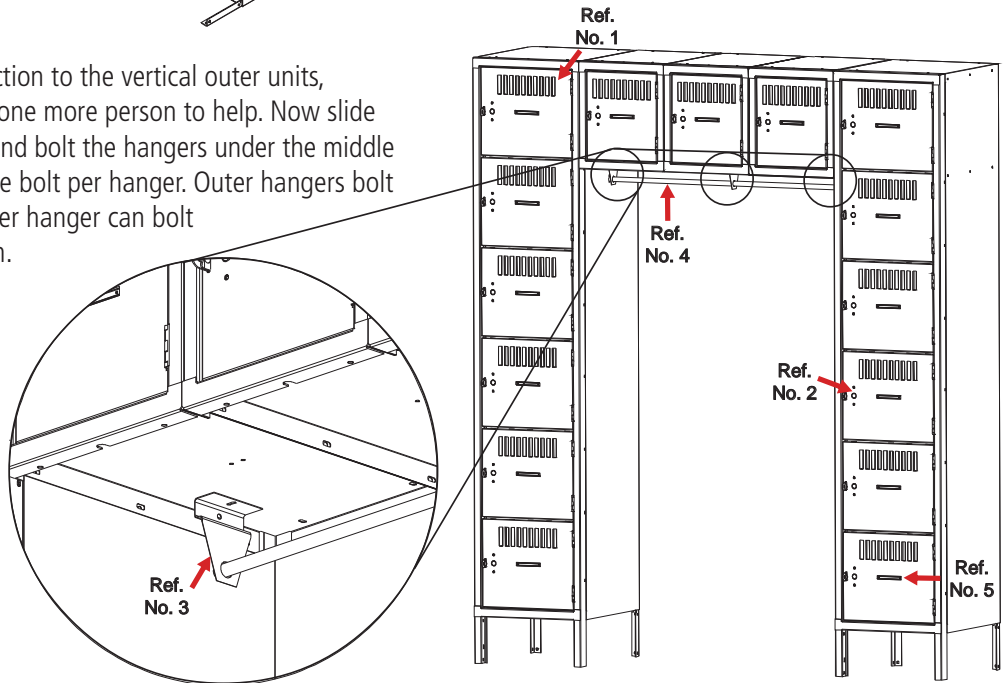
NOTE: Illustrations below show a 15-Person Locker; the 16-Person Locker, with or without C-Thru doors, assembles exactly the same way, except there is an additional locker opening in the center section.



1. Attach the horizontal section frame and side on both ends to the frame and side of the vertical units, using six bolts and nuts and tighten securely.

2. After attaching the horizontal section to the vertical outer units, stand the units up using at least one more person to help. Now slide three hangers over the coat rod and bolt the hangers under the middle section as shown. Attach with one bolt per hanger. Outer hangers bolt through the side of the unit; center hanger can bolt straight up into the locker bottom.

3. Anchor the unit to the wall or floor. Lockers are not intended to stand free, and may topple if not secured. Units standing back to back should be bolted together.



| REF. NO. | DESCRIPTION | PART NO. | QTY. | | | |
|----------|---------------------------------|-----------|------------------|------------------|-----------------|-----------------|
| | | | 15-PERSON LOCKER | 16-PERSON LOCKER | 3-PERSON LOCKER | 4-PERSON LOCKER |
| 1 | Locker Door | LBD-1212 | 15 | 16 | 3 | 4 |
| | C-Thru Locker Door | CLBD-1212 | -- | 16 | -- | 4 |
| 2 | Finger Pull | LFP-1 | 15 | 16 | 3 | 4 |
| 3 | Coat Rod Bracket | LCRB-1 | 3 | 3 | 3 | 3 |
| 4 | Coat Rod | LCR-36 | 1 | -- | 1 | -- |
| | | LCR-48 | -- | 1 | -- | 1 |
| 5 | Number Plate/Clear Label Cover* | LNP-3CP | 15 | 16 | 3 | 4 |
| 6 | Push Plug* | LPP-1 | 30 | 32 | 6 | 8 |
| 7 | Bolts and Nuts #8-32 x 1/2" * | ** | 15 | 15 | 3 | 3 |

*Included in hardware pack enclosed (Part No.: HWSRSHP).

**Available Locally

NOTE: Additional hardware may be included for replacement purposes.

Tennsco makes every effort to ensure that all units ship complete with all parts and arrive undamaged. However, should your unit contain missing or damaged parts, please contact your purchase location.